



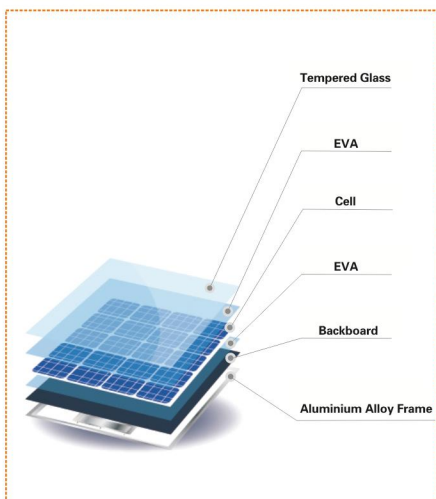
Electrical Performance Parameter

Max.Power(Pmax)	100
Opt.Operating Voltage(Vmp)	18
Opt.Operating Current(Imp)	5.56
Open Circuit Voltage(Voc)	22.1
Short Circuit Current(Isc)	5.83
Module Efficiency (%)	15.1

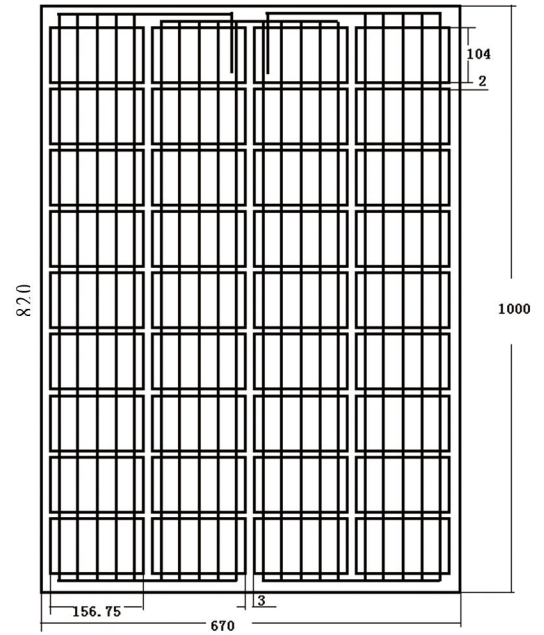
Specification

Module Type FS-100P-Hc

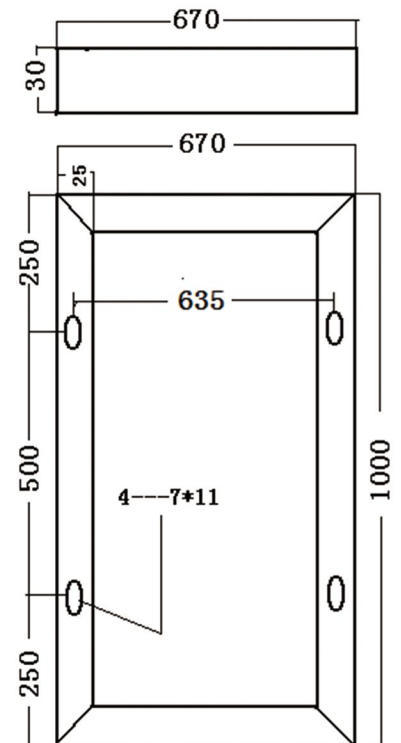
Cell Type	Polycrystalline
Module Dimensions (mm)	1000*670*30
Cable Length(mm)	900
Connector	None/MC4
Weight (kg)	6.90



Front View



Back View



- Efficient light energy conversion rate
- Customized Service
- Green Energy
- Performance Warranty 25 years
- Hail test(Hail Diameter/impact velocity)
:25mm/23m/s