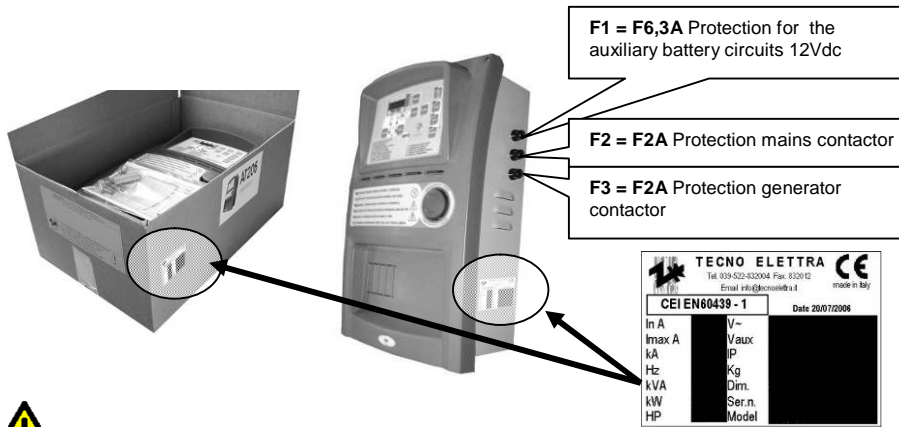




AT206 / AT206B “Quick installation guide”

UK

General information

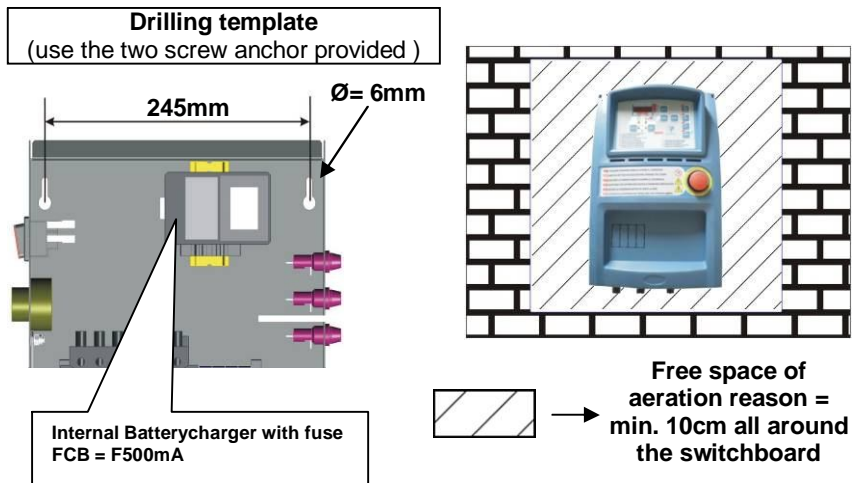


Description of the data shown on the label

In = nominal current
I_{max} = maximum rated current
KA = maximum breaking current against short circuit
Hz = frequency
KVA = apparent power (calculated at cos fi 0,8)
KW = active power
HP = horse power
V~ = maximum use voltage of the primaries
Vaux = maximum voltage of the auxiliary circuits
IP = degree of protection against external agents
Kg = approximate weight
Dim = dimensions Height x Width x Depth
Ser.n = serial number
Model = product code

WARNING! Check that the product delivered exactly corresponds to the ordered

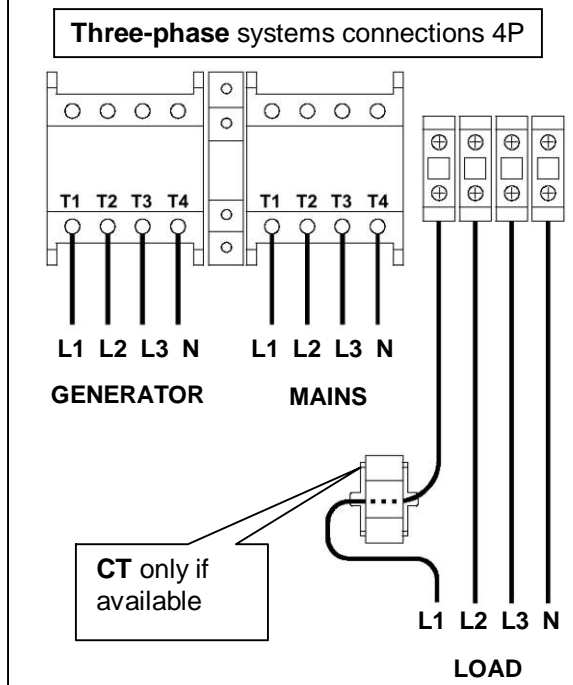
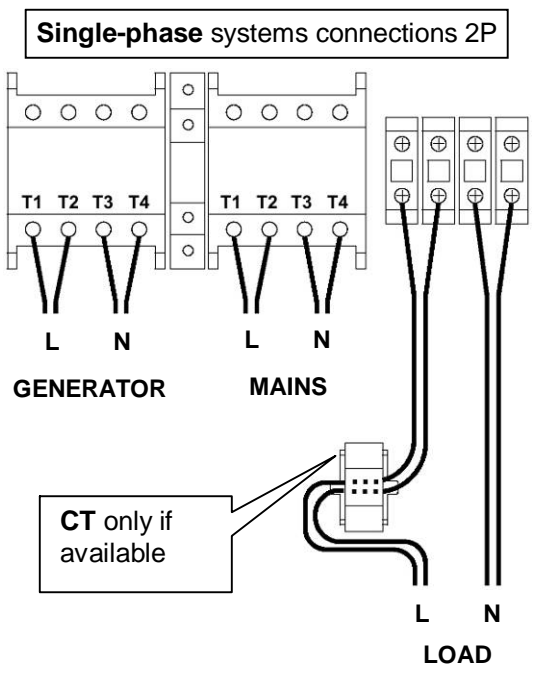
Installation



TECHNICAL FEATURES

| | |
|-------------------------------------|------------------|
| Nominal voltage battery | 12Vdc |
| Maximum rated current | 250mA |
| Maximum rated power | 3W |
| Operating range | 10 ÷ 17VDC |
| Nominal voltage generator/mains | 100 ÷ 265Vac L-N |
| Measuring range voltage appearing | 50 ÷ 450Vac |
| Frequency range | 45 ÷ 65Hz |
| Degree of protection front board | IP65 |
| Degree of protection of switchboard | IP20 |
| Operating temperature | -20 ÷ +50°C |
| Storage temperature | -30 ÷ +70°C |
| Maximum rated humidity | <90% |

Power electrical connections



Cables sections

Single-phase system 2P (max 5m)

| I max | min. sec. | max sec. |
|-------|----------------------|----------------------|
| 40A | 2x 4mm ² | 2x 6mm ² |
| 51A | 2x 4mm ² | 2x 6mm ² |
| 72A | 2x 6mm ² | 2x 10mm ² |
| 89A | 2x 10mm ² | 2x 16mm ² |
| 96A | 2x 10mm ² | 2x 16mm ² |

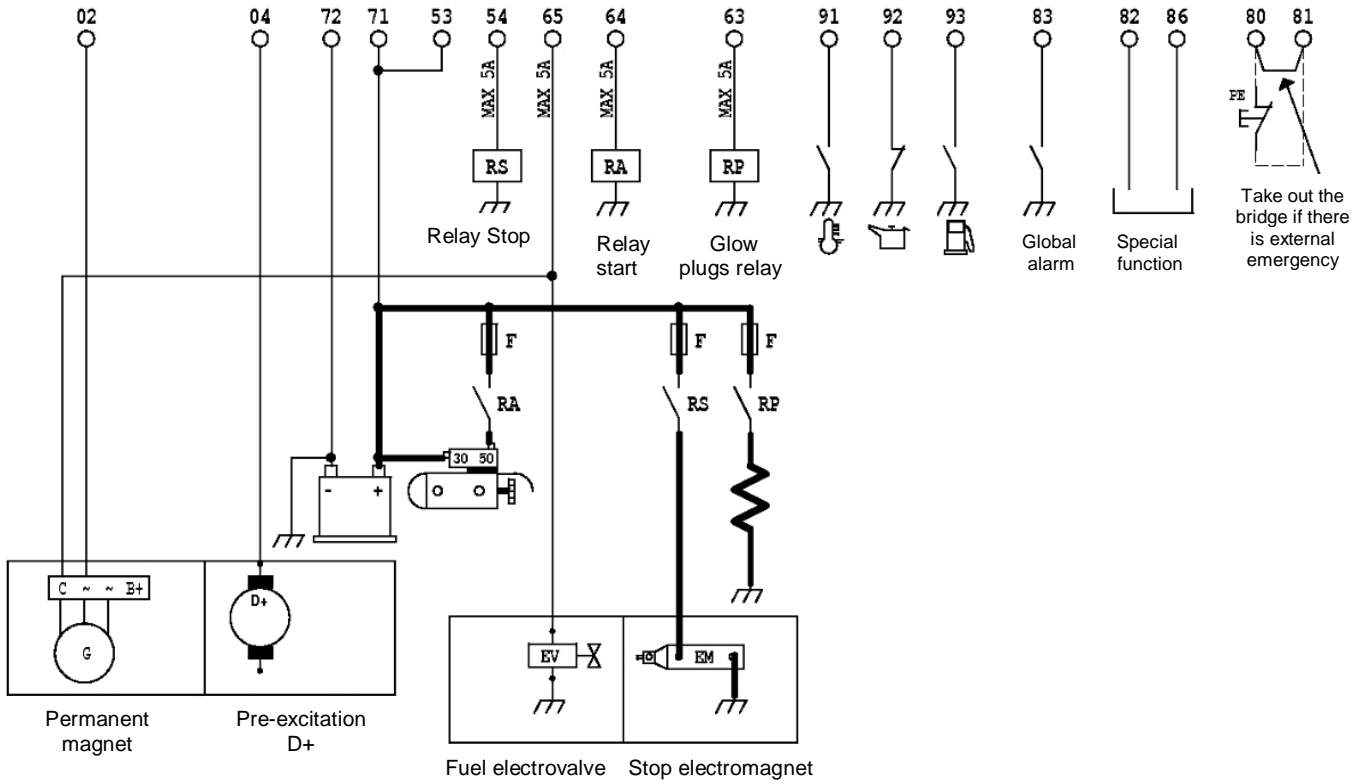
Three-phase system 4P (max 5m)

| I max | min. sec. | max sec. |
|-------|----------------------|----------------------|
| 25A | 1x 4mm ² | 1x 6mm ² |
| 32A | 1x 6mm ² | 1x 6mm ² |
| 45A | 1x 10mm ² | 1x 10mm ² |
| 56A | 1x 16mm ² | 1x 16mm ² |
| 60A | 1x 16mm ² | 1x 16mm ² |



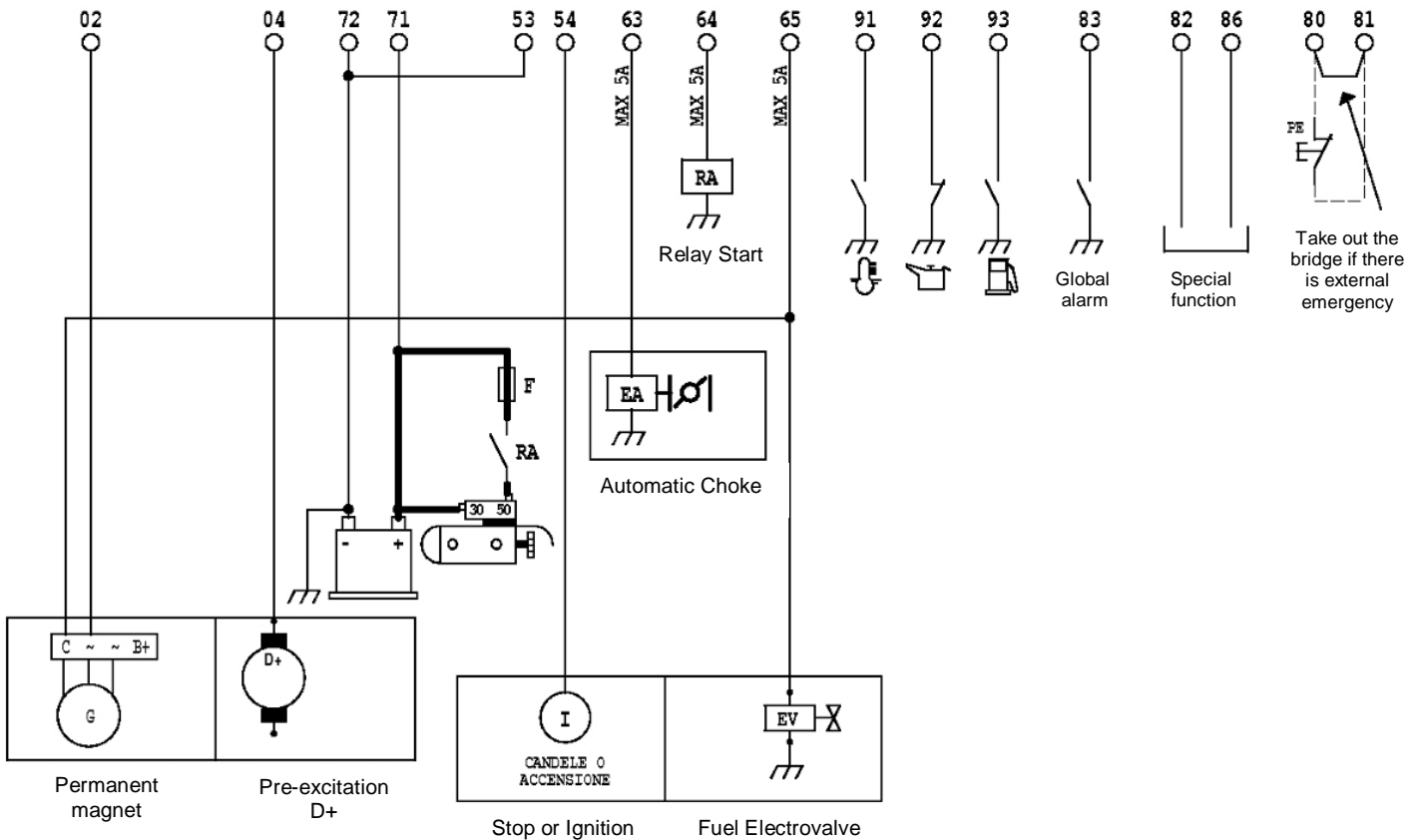
Auxiliary electrical connections – Diesel motor

Switchboard terminal



Auxiliary electrical connections – Fuel motor

Switchboard terminal



WARNING! if there a protection switch on the generator output voltage, please remember to turn it in ON before the gen-set start running



Power ON – first start up

Verify that the Emergency button is released: if not, rotate it in clockwise direction to unlock it. (only if available)



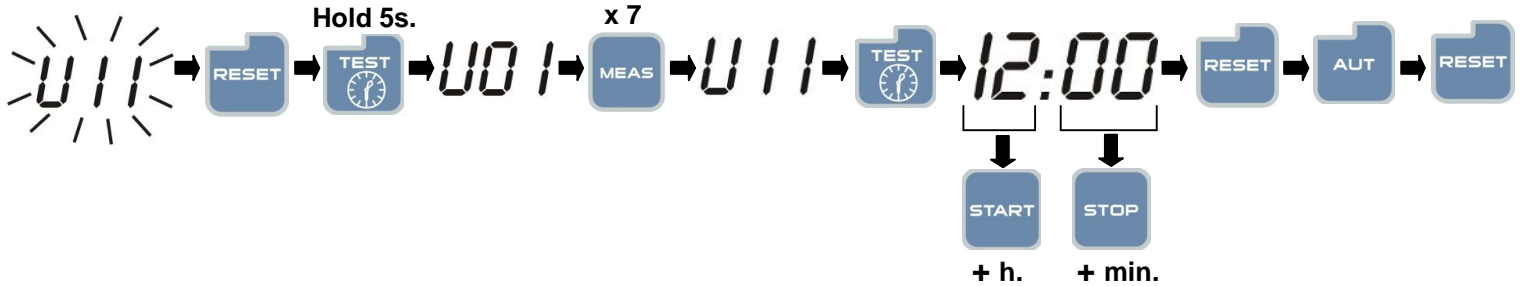
During the first start up, U11 code flashes as a reminder to programming the clock



Push RESET button to confirm the message, and remove it from display



Power ON – clock programming

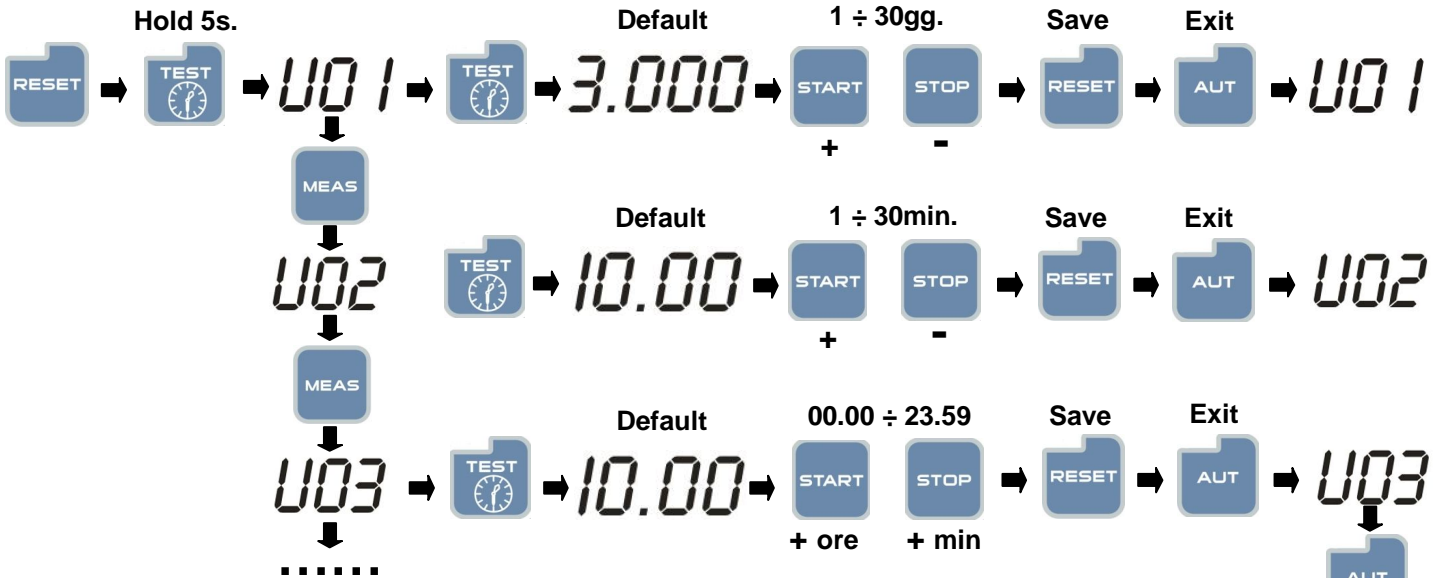


“AUTOMATIC TEST”: programming (only if necessary)

DESCRIPTION

Default set-up:
 the test is done every 3 days (U01), start at 10:00 (U03) and lasts 10 minutes (U02).

| Setup | Description | Range | Default |
|-------|------------------------------|---------------|---------|
| U.01 | Automatic test interval time | 1 – 30gg | 3 gg |
| U.02 | Test duration | 1 – 30 min | 10 min |
| U.03 | Test start time | 00:00 – 23:59 | 10:00 |



WARNING!

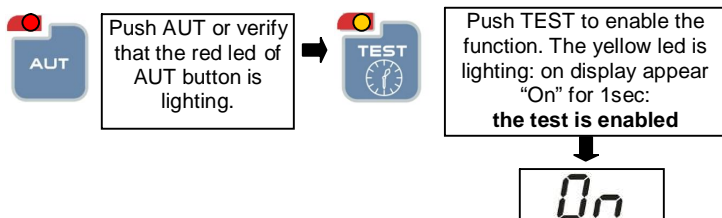
To avoid mode of operation different from those described, it is absolutely not recommended changing parameters U04, U08, U09, U10 without prior consultation with a service center.

END

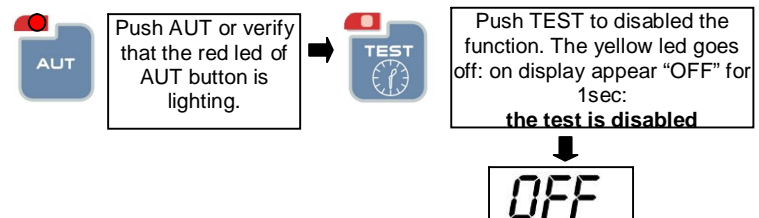
“AUTOMATIC TEST”: enabled and disabled (only if necessary)

When the automatic test parameters are set, you have to enable this, as follows:

ENABLED



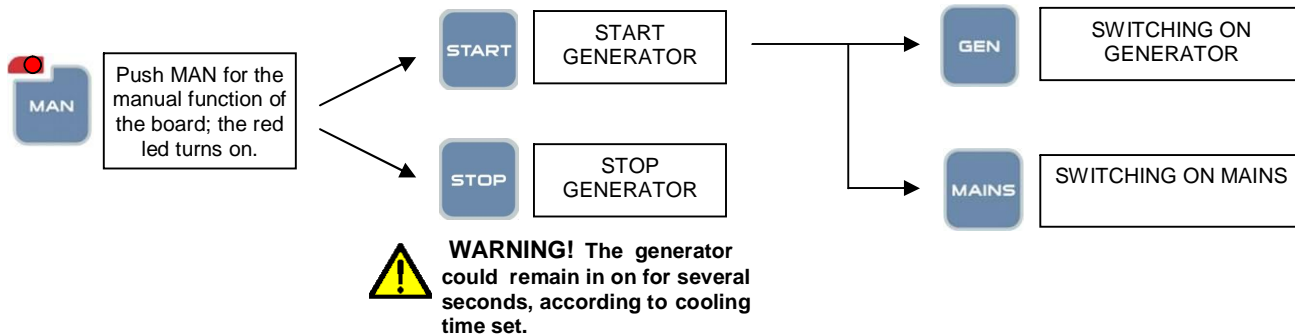
DISABLED





Mode of operation

BOARD IN MANUAL FUNCTION: The operator decide the starter, the stopping and the switching of generator.



BOARD IN AUTOMATIC FUNCTION: The electrical switching board automatically starts the generator in case of the mains irregularity, and stopping the generator when the mains became normal. The electrical panel also switching the contactor. If enabled, the automatic test goes on based on programming.

BOARD IN RESET: Push RESET, if the generator is on, it will be stopped immediately. In this position you can not start the generator and it is not possible to handle switching.

Display measures

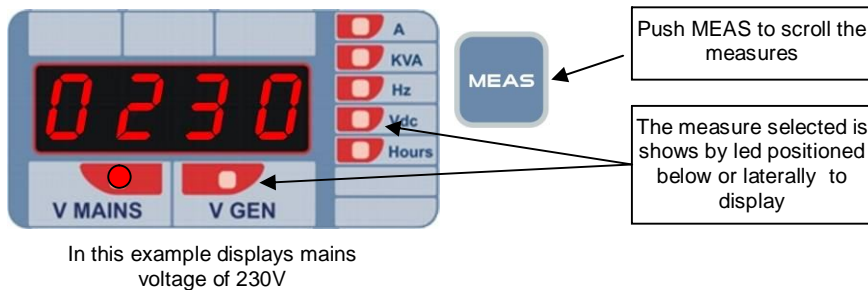
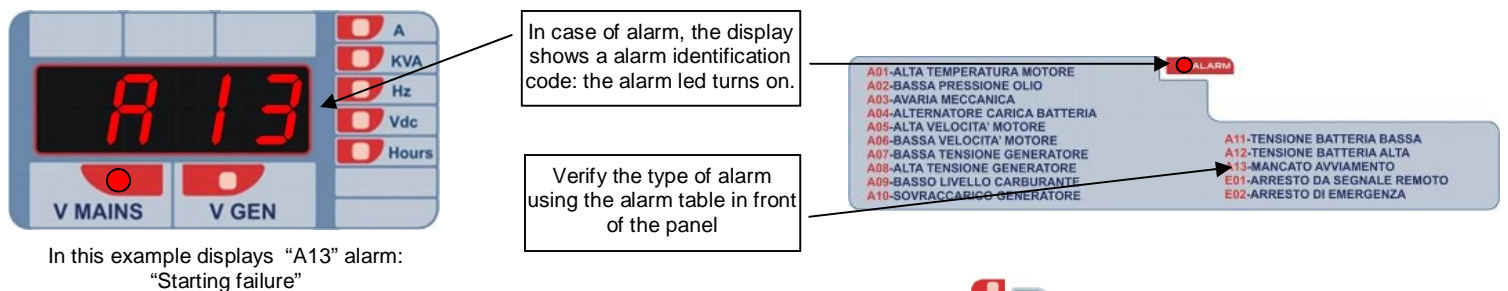


Table of the parameters can show on display:

| | |
|----------|--|
| V MAINS: | Mains voltage |
| V GEN: | Generator voltage |
| A: | Generator output current (only if available) |
| KVA: | Generator power output (only if available) |
| Hz: | Generator frequency |
| Vdc: | Battery voltage |
| Hours: | Generator work hours |

If all leds are turned off, the display shows the actual time.

Display alarms



WARNING! In case of alarm we suggest to contact the generator manufacturer.

Push RESET to clear the alarm signal and put the generator in safety.

GENERAL WARNING!

- Read this manual carefully since it is necessary as a guide to the way the product is designed to be used, to its technical features, to supply the instructions for installation, assembly and use. It is also useful for personnel training, to indicate the maintenance operations, for ordering spare parts and to give indications of the outstanding hazards.
 - The manual must always be available for consultation near the panel and kept in a proper manner (in protected, dry places, away from direct sunlight, etc.); it should be considered as part of the panel and must be "KEPT FOR FUTURE REFERENCE" as long as the equipment is assembled.
 - It should be borne in mind that some diagrams it contains have only the purpose of identifying the parts described and therefore might not correspond to your card.
 - After opening the package, check the entire unit in case of problems with this unit do not use it until you have consulted an the **Retailer or Manufacturer** otherwise all warranty rights will be voided.
 - This card has only to be used for the purpose for which it was specifically designed. Any other use shall be considered improper and, therefore, dangerous.
 - All operations concerning the installation of the control panel should be carried out by skilled personnel in conformity with present regulations.
 - During work it is recommended to keep to the current personal safety rules in force in the country the product is destined for (clothing, work tools, etc.).
 - When the unit is working do not use the card parts.
 - Never for any reason modify any part of the card (connections, holes, electrical or mechanical devices, etc.) unless duly authorized to do so in writing by **manufacturer**: the responsibility deriving from any such action shall fall on the person doing it since he then in fact becomes its manufacturer.
 - Before doing any cleaning or maintenance, disconnect the control panel from the power supply.
 - Never use the card exposed to sources of heat or under direct hot sunlight
- It is wise to remember that should any difficulty arise in its use, installation or whatever, our Technical Service is always at your disposal for any explanations or action.

ATTENTION! On web site www.tecnolelettra.it is available the complete manual of the TE806 electronic board.