



TE805

1571827 - Standard version with RS232 output

1571827B - Standard version with RS232 output + RA output for 11 alarm relay board SRA

Electronic board for command and protection of generators with changeover switch control



Description

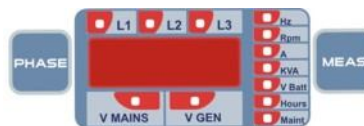
The TE805 board control and protect in automatic or manual mode generators and command the changeover switch. It's a powerfull, reliable and simple board. All the controls and commands are indicated by leds and by clear graphic design. Box project assures an IP65 protection and by high quality components, it permits a secure working also in critical ambient conditions. RS232 port (included) permits a PC connection for parametes setting; it permits also to connect several device like modems or converters for a complete remote control. To help users, the software of the TE805 and TE804 boards is the same.



36 Alarms for maximum safety

Display 4 digits, 7 segment led, to show alarm codes and messages, electrical measures and programmation parameters.

- High engine temperature (digital sensor)
- Low oil pressure (digital sensor)
- Pressure digital sensor fault
- Low fuel level (digital sensor)
- High battery voltage
- Low battery voltage
- Inefficient battery
- battery charger alternator failure
- "W" signal failure
- Low engine rpm
- High engine rpm
- Starting failure
- Emergency stop
- Unexpected stop
- Engine stop failure
- Low generator frequency
- High generator frequency
- Low generator voltage
- High generator voltage
- Generator asymmetry
- Generator short-circuit
- Generator overload
- External generator protection switch tripped
- Incorrect generator phase sequence
- Incorrect mains phase sequence
- Wrong system frequency setting
- Generator contactor failure
- Mains contactor failure
- Maintenance request (several steps)
- System error
- Rent hours exhausted
- Low radiator liquid level
- 4 User alarms



- ▶ Hz (frequency)
- ▶ Rpm (engine speed)
- ▶ A (current)
- ▶ KVA (power)
- ▶ V.Batt (battery voltage)
- ▶ Hours (working hour)
- ▶ Maint (left hours to service)

5 FUNCTION MODE BUTTONS WITH LEADS:

- ❖ Test / automatic weekly test mode
- ❖ Automatic mode
- ❖ Manuale mode
- ❖ Reset mode

6 FUNCTION MODE BUTTONS:

- Button MEAS for display electrical measures selection
- Button PHASE for display phase measure selection L1-L2-L3
- Button START to start in manual mode
- Button STOP to stop in manual mode
- Button GEN to close changeover switch on generator side in manual mode
- Button MAINS to close changeover switch on mains side in manual mode

Alarm codes list in several languages



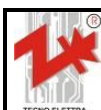
Weekly test for periodical generator starting



Ergonomic buttons with clear indication leds.

23 indications and status leds

- Test mode selected
- Weekly test enable
- Manual mode selected
- Automatic mode selected
- Reset mode selected
- Frequency measure selected on the display
- RPM measure selected on the display
- Current measure selected on the display
- KVA measure selected on the display
- Battery voltage measure selected on the display
- Total hourcounter selected on the display
- Service hours selected on the display
- Genset voltage measure selected on the display
- Mains voltage measure selected on the display
- Phase L1 measure selected on the display
- Phase L2 measure selected on the display
- Phase L3 measure selected on the display
- Engine running status
- Mains voltage presence
- Generator voltage presence
- Mains contactor closed
- Generator contactor closed
- General alarm active



TECNOELETTA srl

Via Dimeo Vioni , n.5 - Frazione S. Rocco
42016 Guastalla (RE) ITALY Tel.0522-832004 fax 832012
Internet:www.tecnoelettra.it E-mail:info@tecnoelettra.it

Special functions

- **Remote start**
- **Remote stop**
- **SCR**
- **EJP – EJP/T**
- **Genset start/stop on mains kW threshold consumption**
- **Dummy load control**
- **Rent hours function**
- **Automatic and Test modes block Engine start in case of mains contactor failure**
- **Function mode status output**
- **Remote control**

Remote control software

- **Remote control:**
- **By PC**
- **By GSM system**
- **By modem**
- **By Ethernet and TCP/IP**
- **By GPRS**



Reference norme

IEC/EN 50082-1, IEC/EN61000-6-2,
IEC/EN61000-4-2
IEC/EN 61000-4-3, IEC/EN61000-4-4,
IEC/EN61000-4-5
IEC/EN 61000-4-6

Technical data

- Working temperature -20 ÷ +50°C
- Storing temperature -30 ÷ +80°C
- Supply range 9 ÷ 17Vcc
- Frequency range 45 ÷ 65Hz
- Measures accuracy +/- 1% +/- 1 digit
- Ambient protection IP65

Packaging

The board package includes:

- ❖ Packing box
- ❖ Instruction manual Italian/English
- ❖ Simplify user's instruction
- ❖ Terminal boards

**Warranty - 24 months
from delivery data**

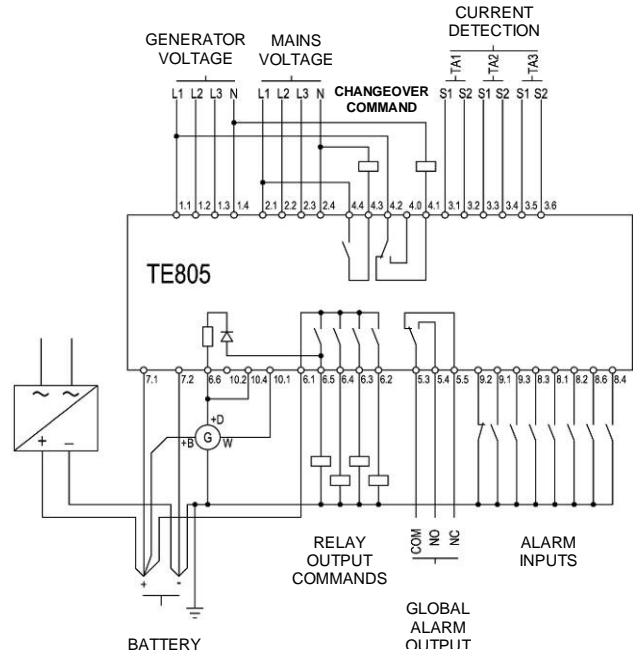


Keyboard description

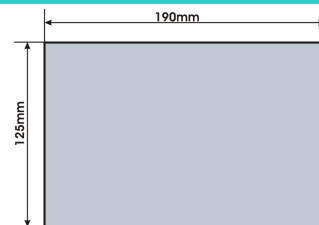
The diagram shows the TE805 control panel with various buttons and LEDs. Callouts provide the following descriptions:

- Leds about selected measure:** Hz (frequency), Rpm (giri motore), A (current), KVA (power), Vdc (battery voltage), Hours (hourcounter), Maint (service hours).
- MEAS:** MEAS permits to change the measure on the display. Selected measure is indicated by corresponsive led.
- START and STOP:** START and STOP buttons to start and stop generator during manual operation mode.
- TEST:** TEST button to enable Automatic Test.
- PHASE:** PHASE- it permits to select the phase measured on the display.
- LEDs to indicate voltage source:** LEDs to indicates if the display voltage measure is from mains or generator.
- Engine running status:** Led about engine running status.
- Voltage presence LEDs:** LEDs to show mains or generator voltage presence.
- Manual mode stop button:** Button that permits to close mains contactor during manual mode operation.
- Generator manual mode stop button:** Button that permits to close generator contactor during manual mode operation.
- Voltage closed LEDs:** LEDs to show mains or generator contactor closed.
- Active Alarms LED:** Led shows presence of one or more active alarms.
- Operation mode buttons:** MAN-manual: start and stop by START and STOP buttons. AUT-automatic mode. RESET- to cancel an alarm message and to block the operating functions of the board.

Sample connection drawing



Drilling template



TECNOELETTRA srl

Via Dimeo Vioni , n.5 - Frazione S. Rocco
42016 Guastalla (RE) ITALY Tel.0522-832004 fax 832012
Internet:www.tecnoelettra.it E-mail:info@tecnoelettra.it